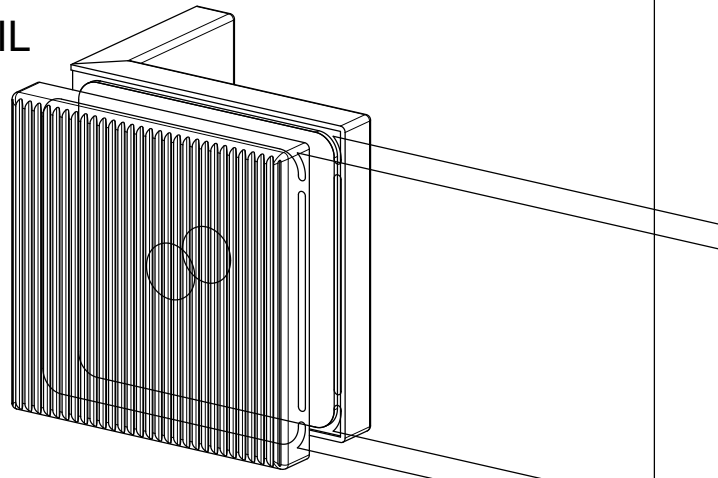

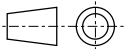


TEXTURE DETAIL



| | | | |
|--|-----------------------------------|-------------------------|---|
|  | SHOWER G 67506 | Formato A4 |  |
| | MORSETTO MURO-VETRO L = 60 RIGATO | Dis.: GPF6750610000G000 | |
| <p>Gessi S.p.A. Parco Gessi, 13037 Serravalle Sesia (Vercelli) Italy Tel.0039 0163 454111 Fax.0039 0163 453150 www.gessi.com e-mail:gessi@gessi.it</p> <p><i>This drawing by its legislation cannot be disclosed or reproduced without a written authorization released by GESSI S.p.A. - 2023 Copyright® GESSI S.p.A.</i></p> | | | |